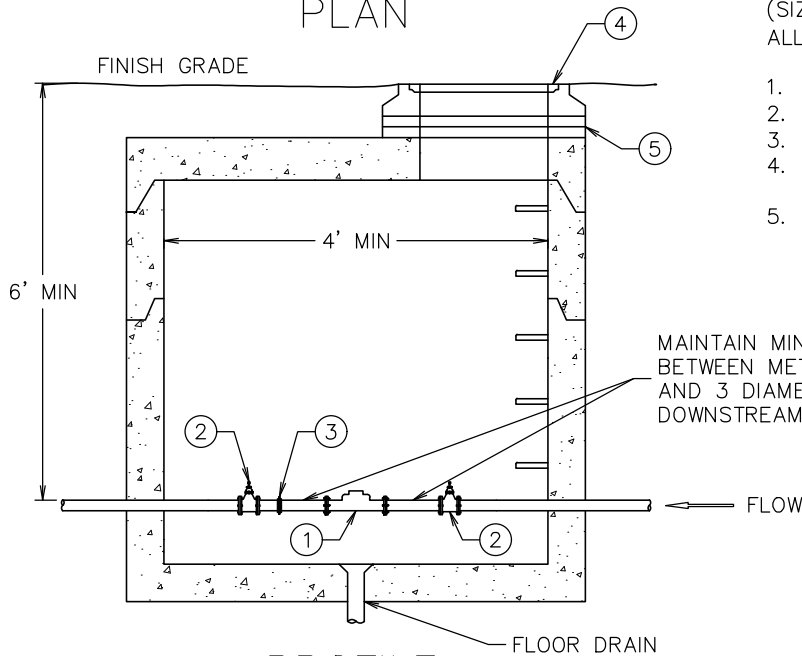


PLAN



PROFILE

LEGEND:  
(SIZES BASED ON 2" METER, ADJUST ALL TO MATCH FOR 1 1/2" METER)

- 1. 2" METER
- 2. 2" BALL VALVE
- 3. 2" UNION
- 4. EJIW 3770 CAST IRON RING AND COVER MARKED "WATER"
- 5. CONCRETE ADJUSTING RINGS

MAINTAIN MINIMUM OF 5 PIPE DIAMETERS BETWEEN METER AND UPSTREAM VALVE AND 3 DIAMETERS BETWEEN METER AND DOWNSTREAM VALVE

GENERAL NOTES:

- 1. MANHOLE BASE IS OPTIONAL. WHERE BASE IS NOT PROVIDED, MANHOLE SHALL BE PLACED ON FOUR STANDARD CMU BLOCKS SPACED EQUAL DISTANCE AROUND MANHOLE.
- 2. METER PIT SHALL BE INSTALLED 2-5' OUTSIDE THE RIGHT OF WAY.
- 3. NO OBSTRUCTIONS SHALL BE PLACED WITHIN A MINIMUM 4 FT RADIUS AROUND THE METER PIT TO ALLOW ACCESS TO THE PIT.
- 4. NO PRV'S, CHECK VALVES OR BACKFLOW DEVICES ALLOWED IN METER PIT.
- 5. THIS DIAGRAM IS NOT PROJECT SPECIFIC AND IS NOT INTENDED TO BE A DESIGN DRAWING. THE OWNER IS RESPONSIBLE TO COMPLY WITH ALL APPLICABLE BUILDING CODES. THIS DETAIL MAY CHANGE AT ANY TIME AND IT IS THE OWNER'S RESPONSIBILITY TO OBTAIN THE MOST CURRENT VERSION OF THIS AND OTHER CITY REQUIREMENTS.



Engineering Division

Large (1 1/2" and 2") Irrigation Meter Pit Detail

*Joyan McInnis*

Approved By  
Utilities Engineer  
Logan McInnis, PE

Revised: 09/28/2020

STD - 412