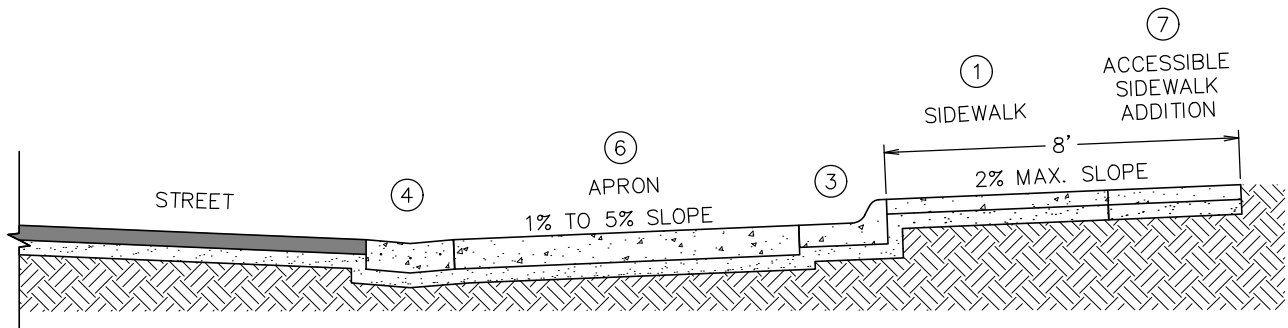


SECTION A-A

BOULEVARD
BUS-STOP LOCATION



SECTION B-B

CURBSIDE
BUS-STOP LOCATION



Engineering Division

Bus-Stop Pull-Out Design Elements and Guidelines (Sheet 2 of 3)

Approved By
City Engineer
Kevin J. Slovarp

Adopted: 01/1973
Revised: 01/10/2007

STD - 712-2